



Model A8-SG Specifications

- Freezer temperature range -11°F to +21°F
- Refrigerant: The most environment friendly and most efficient R-404a
- Electrical 120v / 60Hz
- UL and NSF Listed
- Ice Cream Tubholders or Gelato Panholders included
- Tempered glass sliding lids. Sliding insulated solid lids available.
- Steel Cart Frame and Freezer - powder-coated white baked enamel finish
- Custom Graphics included
- Defrost drain for easy cleaning
- Tempered 3-piece glass sneeze guard **or** patented Fold-Down Lexan Sneeze guard with Stainless Steel frame
- Umbrella: 9' wood market umbrella with screenprinted fabric
- 4" solid rubber casters, two w/brakes. 6" & 8" upgrades available.
- Approximate weight: 233 lbs with Lexan sneeze guard **or** 288 lbs with glass sneeze guard
- Lock and key included
- Internal Dimensions:
43.3" W x 28.4" H x 22.1" D

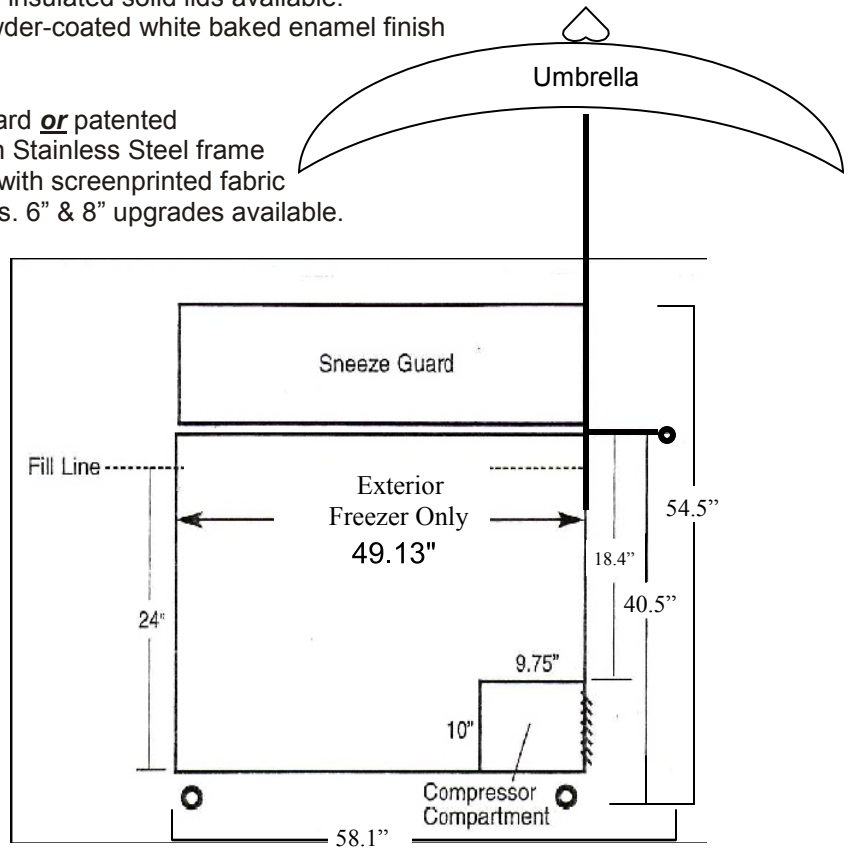
Total Capacity:
14 3-gal. ice cream tubs or
20 5-liter gelato pans

Freezer Warranty

2 Years Parts and Labor
(accessories excluded)
5 Years Compressor (part only)

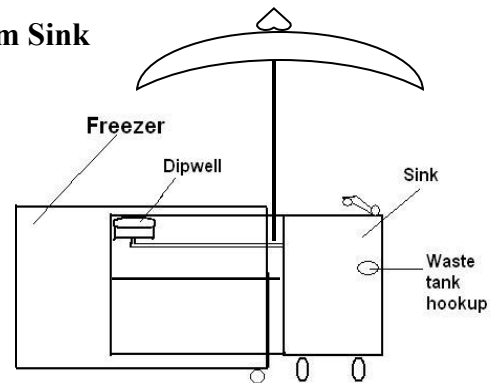
Umbrella Warranty

1 year



Patented Portable Ice Cream Sink

- All restaurant-quality stainless steel construction
- 2.5 gallon hot water heater (UL Listed)
- electric water pump (UL Listed)
- heavy duty lockable wheels
- NSF certified dipwell
- 15-gallon waste water tank
- 7-gallon fresh water tank (with easy alternate connection to standard garden hose)
- Runs on regular 110v electricity
- Amp requirements:
water heater=10.5, water pump=.4, Total=15.5
- All electrical parts are UL listed.
- 40" H x 33.5" W x 18.5" D
- Approximate Weight 155 lbs.
- Three-compartment ware-washing station available



Sink Warranty

Pump: 2 years
Water Heater: 5 years
All Other Parts: 1 year