



## A8-SG Specifications

- Freezer temperature range -10°F to +10°F
- Refrigerant NEW! The most environment friendly and most efficient R-404a
- Electrical 120v / 60Hz
- UL Listed and NSF Listed

### FEATURES

- Tubholders, skirts, and lids included
- Tempered glass sliding lids
- Durable white baked on enamel finish
- Custom Graphics included
- Defrost drain for easy cleaning
- Tempered glass sneeze guard with aluminum frame or
- Fold-Down Lexan

Sneeze guard  
with Stainless Steel frame

Model A8-B Freezer  
External Dimensions  
W x D x H  
49.13" x 25.8" x 49.5"

### Warranty

**2 Year Parts and Labor**  
**5 Years Compressor (part only)**

Administered by:

**AHT-USA**

Display /Storage

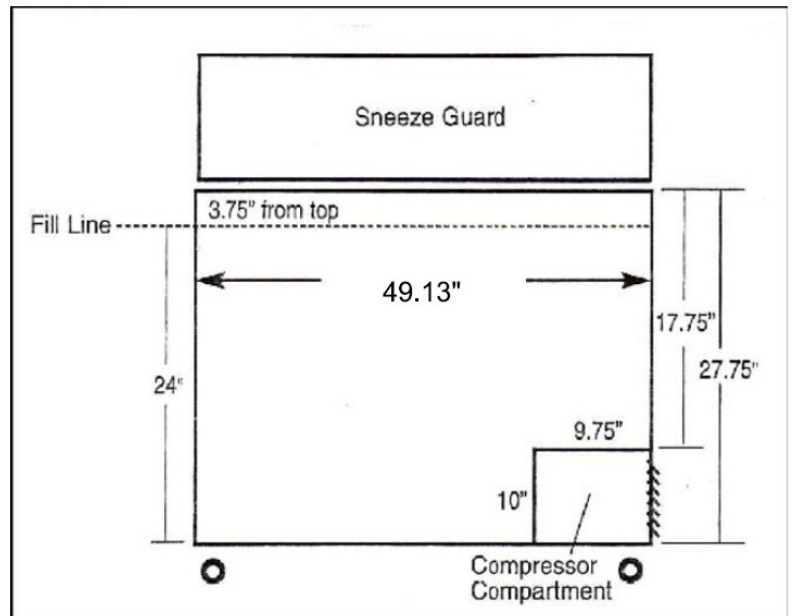
8 / 6

Gross Cu Ft

13.9

- All restaurant-quality stainless steel construction
- 2.5 gallon hot water heater (UL Listed)
- electric water pump (UL Listed)
- heavy duty lockable wheels
- includes dipwell (NSF approved) and waste water tank
- 7-gallon fresh water tank (with easy alternative connection to standard garden hose)
- 15-gallon waste water tank
- Runs on regular 110v electricity
- Amp requirements:  
water heater=10.5, water pump=.4, Total=15.5
- All electrical parts are UL listed.
- 40" H x 33.5" W x 18.5" D

## Dipping Cabinet



## Portable Ice Cream Sink

